



# ArculexPara

DECORATIVE URBAN  
STREET LIGHT POLE



The Decorative Conical Street Light Pole is an architecturally refined lighting solution designed for premium urban environments. Featuring a tapered conical pole profile and an integrated laser-cut ornamental profile, highlighted with LED Strip, the design combines structural performance with high-end aesthetics, making it ideal for major avenues, commercial areas, landscaped walkways, and modern smart-city projects.

### ● CONICAL POLE STRUCTURE

- **Material:** HR Steel as per IS 2062 / BSEN 10025
- **Taper Profile:** Precision-formed conical shaft.
- **Height Options:** 7m, 8m, 9m & 10m
- **Wall Thickness:** 3mm
- **Finish:** Hot Dip Galvanized & PU Painted
- **Colors:** Standard anthracite grey with gold trims or any RAL color

### ● LASER-CUT DECORATIVE PROFILE

- CNC/laser-cut MS Sheet panel
- Customizable geometric or parametric design patterns
- Seamless flush-mounted integration
- Dual-layer exterior PU paint finish
- Highlighted with IP67 Led Strip.

### ● LIGHTING ARM ASSEMBLY

- Arm Length: 1.0–1.5 m
- Arm Angle: 5°–15° optimized for light throw
- Fixture Mount: Ø60/76 mm spigot
- Compatible with multiple LED roadway luminaires

### ● BASE & MOUNTING DETAILS

- Decorative flanged base with gold accent cover
- M20 / M24 anchor bolt assembly
- Lockable maintenance access door

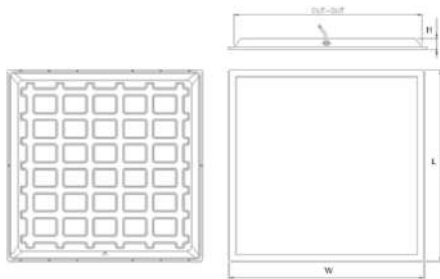
### ● ENVIRONMENTAL & DESIGN COMPLIANCE

- **Wind Resistance:** 50m/sec As per IS: 875 part-III
- **Corrosion Class:** Hot Dip Galvanized BSEN 1461 and PU Paint as per IS



# Gladden Pro Ultra Efficient

## Recess mounting 2'x 2' LED Luminaire



### Features

- Superior luminous efficacy up to 150 lm/W.
- High transmissivity opal diffuser for low glare & uniform light distribution.
- Sleek CRCA housing design for effortless installation in tight ceiling spaces.
- Superior white housing finish for premium aesthetics.
- BIS approved - safe and reliable performance.
- Constant current LED driver for stable output.
- Seamless integration with Armstrong and Grid Ceiling

### General Information

Product Category	LED Commercial Lighting
Luminaire efficacy*	~150 <sup>^</sup>
Color Rendering Index	≥80
Maintenance of lumen output	50000Hrs @L70
Operating Temperature Range	-10°C to 45°C
Electrical Class	Electrical Class I

### Operating and Electrical

Input Voltage	140V to 270V AC
Input Frequency	50 Hz
Power Factor	≥0.95
THD@240V	<10%
Built-in Surge protection	4 kV
Ingress Protection	IP20
Impact Resistance	IK03

### Product Data and Ordering Data

Product Code	Driver Code	Product Cat ref.	CCT <sup>^^</sup>	Product Dimensions (LxWxH)	System Wattage <sup>**</sup>	Rated Luminous flux <sup>**</sup>
116203	955719	BZRSQL 2X2 24W CW Pro NXT UE SD XT	6500K	595x595x35mm	24W	3600lm
116204	955719	BZRSQL 2X2 24W WH Pro NXT UE SD XT	5700K	595x595x35mm	24W	3600lm
116205	955697	BZRSQL 2X2 30W CW Pro NXT UE SD XT	6500K	595x595x35mm	30W	4200lm
116206	955697	BZRSQL 2X2 30W WH Pro NXT UE SD XT	5700K	595x595x35mm	30W	4200lm
116207	955677	BZRSQL 2X2 36W CW Pro NXT UE SD XT	6500K	595x595x35mm	36W	5040lm
116208	955677	BZRSQL 2X2 36W WH Pro NXT UE SD XT	5700K	595x595x35mm	36W	5040lm

Overall Tolerance ±5mm

\*As per the IS 16107 part 2- sec1 clause no. 8.3, measured luminaire efficacy shall not be less than 90% of rated value.

\*\*As per the IS 16107 part 2- sec1 and 16103 part 2, clause no. 7 and 8.1 respectively, measured luminaire wattage shall not vary by more than +10% of rated value and luminaire lumen shall not vary by less than -10% of rated value.

<sup>^</sup>Declared luminaire efficacy for 6500K & 5700K CCT and highest wattage.

<sup>^^</sup>CCT Tolerance as per ANSI: 6500K-(6530K±510K), 5700K-(5665K±355), 4000K-(3985K±275K)

Doc. No.: ILLUM/TDS/2526/CL/053, Rev-00, Dated.23/12/2025

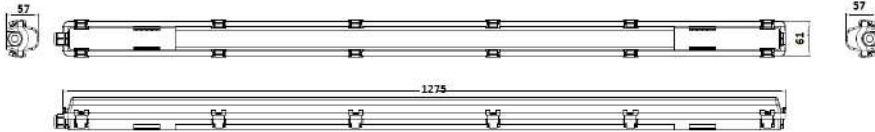
Note: 1. Product image is for reference only. Data subject to variation due to change/improvement in the design, materials and processes.

2. Luminaire suitable for various CCT options as per requirement (4000K, 5700K, 6500K).



## BJI 118 LED PC E

LED Industrial Luminaire for 1X18W LED Tube Light



Overall Tolerance  $\pm 5\text{mm}$

### General Information

Product Category	LED Industrial Lighting
System Wattage**	1X18W

### Operating and Electrical

Ingress Protection	IP65
--------------------	------

### Product Data and Ordering Data

Product Cat. Ref.	BJI 118 LED PC E
Product Code	115944

### Features

This corrosion resistance LED Tube light Fixtures comprises SS toggles and cover made of clear polycarbonate.

High reflective powder coated tray has been provided for better light output.

Suitable for single 18W/20W LED Tube (Tubes suitable for IP enclosures).

Finish: Housing Grey.

Mounting type: Surface/Suspended through SS bracket.

\* As per the IS 16107 part 2- sec1 clause no. 8.3, measured luminaire efficacy shall not be less than 90% of rated value.

\*\*As per the IS 16107 part 2- sec1 and 16103 part 2, clause no. 7 and 8.1 respectively, measured luminaire wattage shall not vary by more than +10% of rated value and luminaire lumen shall not vary by less than -10% of rated value.

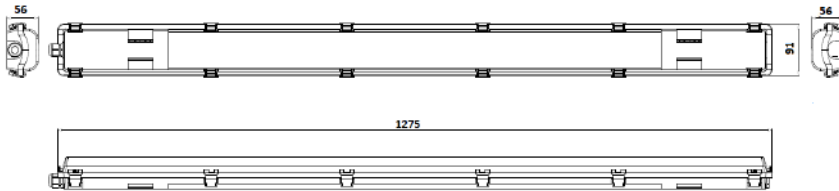
Doc No ILLUM/TDS/2526/IL/061 Rev01 Dated.16/07/2025

Note: Data subject to variation due to change/improvement in the design, materials and processes.



## BJI 218 LED PC E

LED Industrial Luminaire for 2X18W LED Tube Light



All Dimensions are in mm | Overall Tolerance  $\pm 5$ mm

### General Information

Product Category	LED Industrial Lighting
System Wattage**	2X18W

### Operating and Electrical

Ingress Protection	IP65
--------------------	------

### Product Data and Ordering Data

Product Cat. Ref.	BJI 218 LED PC E
Product Code	115943

### Features

This corrosion resistance LED Tube light Fixtures comprises SS toggles and cover made of clear polycarbonate.

High reflective powder coated tray has been provided for better light output.

Suitable for double 18W/20W LED Tube (Tubes suitable for IP enclosures).

Finish: Housing Grey.

Mounting type: Surface/Suspended through SS bracket.

\* As per the IS 16107 part 2- sec1 clause no. 8.3, measured luminaire efficacy shall not be less than 90% of rated value.

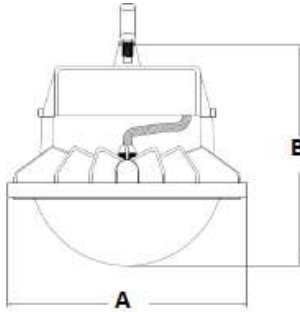
\*\*As per the IS 16107 part 2- sec1 and 16103 part 2, clause no. 7 and 8.1 respectively, measured luminaire wattage shall not vary by more than +10% of rated value and luminaire lumen shall not vary by less than -10% of rated value.

Doc No ILLUM/TDS/2526/IL/062 Rev01 Dated.16/07/2025

Note: Data subject to variation due to change/improvement in the design, materials and processes.



# VERDANT NEO



## General Information

Product Category	LED Industrial Lighting
Luminaire efficacy*	120 lm/W <sup>^</sup>
Color Rendering Index	>70
Maintenance of Lumen Output	50,000 Hrs
Operating Temperature Range	0°C to 50°C

## Operating and Electrical

Input Voltage	140V to 270V AC
Input Frequency	50 Hz
Power Factor	≥0.95
THD@240Vac	<10%
Built-in Surge protection	4kV
Ingress Protection	IP66
Impact Protection	IK08

## Features

- Grey/white gray RAL(7024) powder coated pressure die-cast aluminum housing designed to act as natural convection heat sink for efficient dissipation of heat.
- Clear polycarbonate diffuser in Wellglass form with silicon gasket.
- High efficient led driver with sc and oc out put protection-Through Eye Bolt
- Mounting- Through Eye-Bolt with Anti Vibrator Ring.

## Product Data and Ordering Data

Product Code	Product Cat Ref.	Correlated Color Temperature <sup>^^</sup>	Product Dimensions(AxBX)mm	System Wattage <sup>**</sup>	Rated Luminous Flux <sup>**</sup>
115887	BIWDN NEO 40W WH CD	5700K	135X130	40	4,800
115888	BIWDN NEO 70W WH CD	5700K	169X140	70	8,400

Overall Tolerance in Dimensions ±5mm

\* As per the IS 16107 part 2- sec1 clause no. 8.3, measured luminaire efficacy shall not be less than 90% of rated value.

\*\*As per the IS 16107 part 2- sec1 and 16103 part 2, clause no. 7 and 8.1 respectively, measured luminaire wattage shall not vary by more than +10% of rated value and luminaire lumen shall not vary by less than -10% of rated value.

<sup>^</sup>Declared luminaire efficacy for 6500K CCT and highest wattage.

<sup>^^</sup>CCT Tolerance as per ANSI: 6500K – (6530K±510K), 5700K-(5667K±355), 4000K – (3985K±275K), 3000K – (3045K±175K)

Doc. No.: ILLUM/TDS/2526/IL/022, Rev-02, Dated.26/07/2025

Note: 1. Product image is for reference only. Data subject to variation due to change/improvement in the design, materials and processes.